

LFP204 Quick-installation Peristaltic Pumps

Product materials:

Housing: PC、PA66

Roller: Nylon+MoS₂



Product Features:

- l **Powerful torque;**
- l **Customized flow, up to 650ml/min;**
- l **2 rollers;**
- l **Inner diameter reaches up to 6.4mm;**
- l **Pump's housing is convenient for disassembly and assembly ,which makes it convenient for tube replacement;**
- l **DC motor and stepper motor are both available (revolutions setting controller is standard configuration , flow can be adjustable). The stepper motor satisfies the requirement of long term usage with low noise;**
- l **3 colors (skyblue, colorless transparent and yellow) available for the Pump's housing. Random delivery will be made if no request for the colors.**

Model Selection Guide:

- l **Intermittent operation, strict cost control and no requirements of the flow accuracy, please choose DC motor; if you want to control the flow accurately with a long life motor, please choose stepper motor .**

To be noticed: keep low speed on the condition of continuous operation (within 150rpm).

LEFOO INDUSTRIAL(HANGZHOU)CO.,LTD.

ADD:NO.118 Changda Road Yuhang Economic Development

Zone, HangZhou, ZheJiang 311100, China

Tel:+86-571-89363666 Fax:+86-571-89363678

Http://www.lefoo.com Email:info@lefoo.com

LFP204 Quick-installation Peristaltic Pumps

Product Parameter

Model	LFP204 (DC motor)	LFP204/BT (stepper motor)
Speed range (rpm)	25、50、100、150、200、300	0.15~200
Tube size	Tube thickness: 1.6 mm, inner diameter: 3.2、4.8、6.4 mm	
	16#、25#、17#	
Flow range(ml/min)	20-650	0-500
Roller quantity	2 rollers	
Motor power(W)	6-16W	25-50W
Motor model	37 series DC electric motor	57 series Stepper motor
Operation voltage(V)	12、24	10~30
Product weight(Kg)	0.4	0.7

204 Specification (ml/min, media: water)

Inner diameter X thickness Rotate speed (rpm)	3×1	16#	25#	15#	17#	24#
	25	8	9	31	28	55
30	11	10	38	36	70	73
50	25	17	65	63	135	125
60	30	20	73	71	145	150
100	55	35	125	123	250	245
150	60	45	193	189	400	380
200	110	70	253	245	500	490

204/BT Specification (ml/min, media: water)

Inner diameter X thickness	3×1	16#	25#	15#	17#	24#
Rotate speed (rpm)	0-200	0-200	0-200	0-200	0-200	0-200
Flow rate range(ml/min)	0-110	0-70	0-253	0-245	0-500	0-490

LEFOO INDUSTRIAL(HANGZHOU)CO.,LTD.

ADD:NO.118 Changda Road Yuhang Economic Development

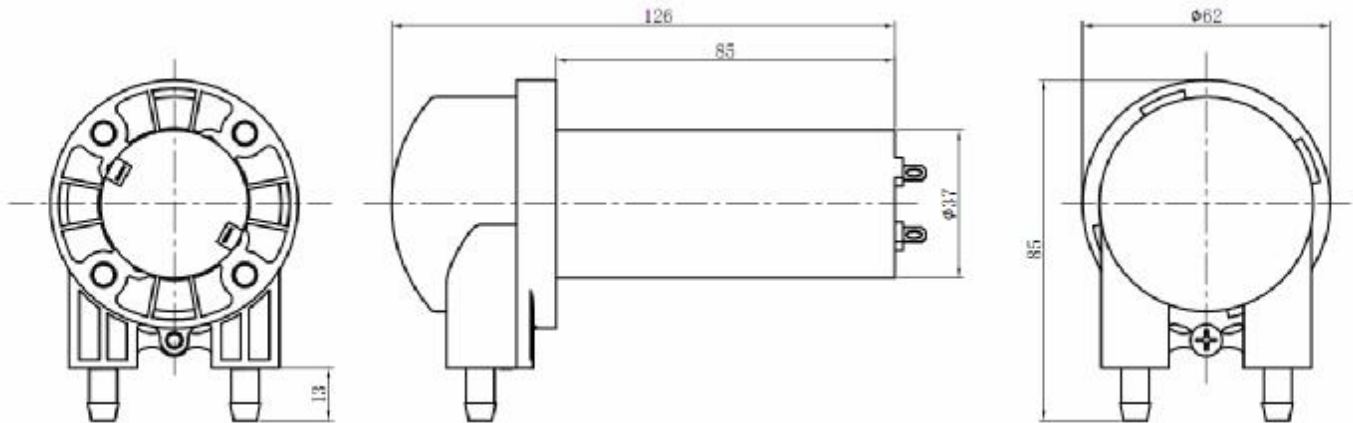
Zone, HangZhou, ZheJiang 311100, China

Tel:+86-571-89363666 Fax:+86-571-89363678

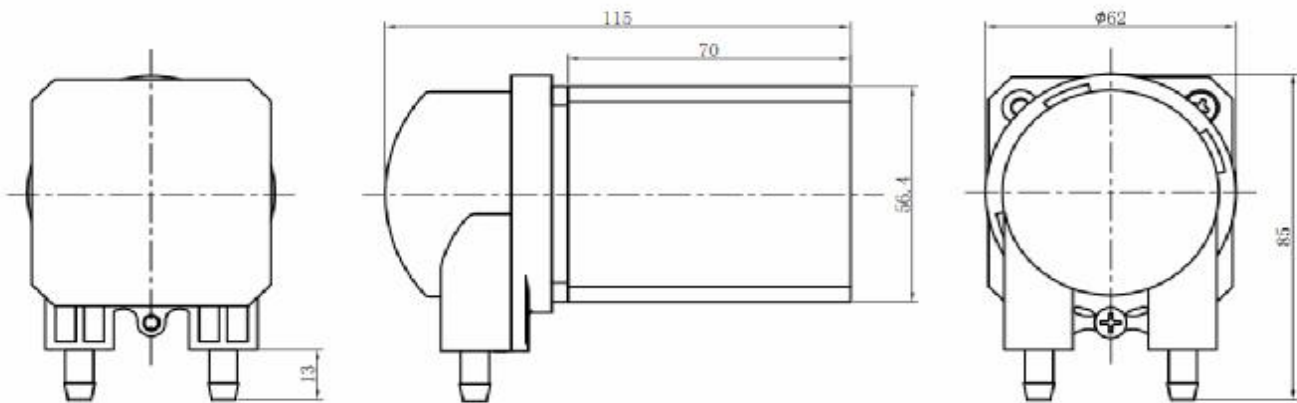
Http://www.lefoo.com Email:info@lefoo.com

LFP204 Quick-installation Peristaltic Pumps

LFP204 pump drawings:



LFP204/BT pump drawings:



Customer could use your own rotational potentiometer, the controller offers input ports of 5V reference voltage and voltage speed regulation. The measuring range of rotational potentiometer should be between 5K Ω to 10K Ω . Small resistance will lead to large current consumption, but large resistance will lower measurement accuracy.

LEFOO INDUSTRIAL(HANGZHOU)CO.,LTD.

ADD:NO.118 Changda Road Yuhang Economic Development

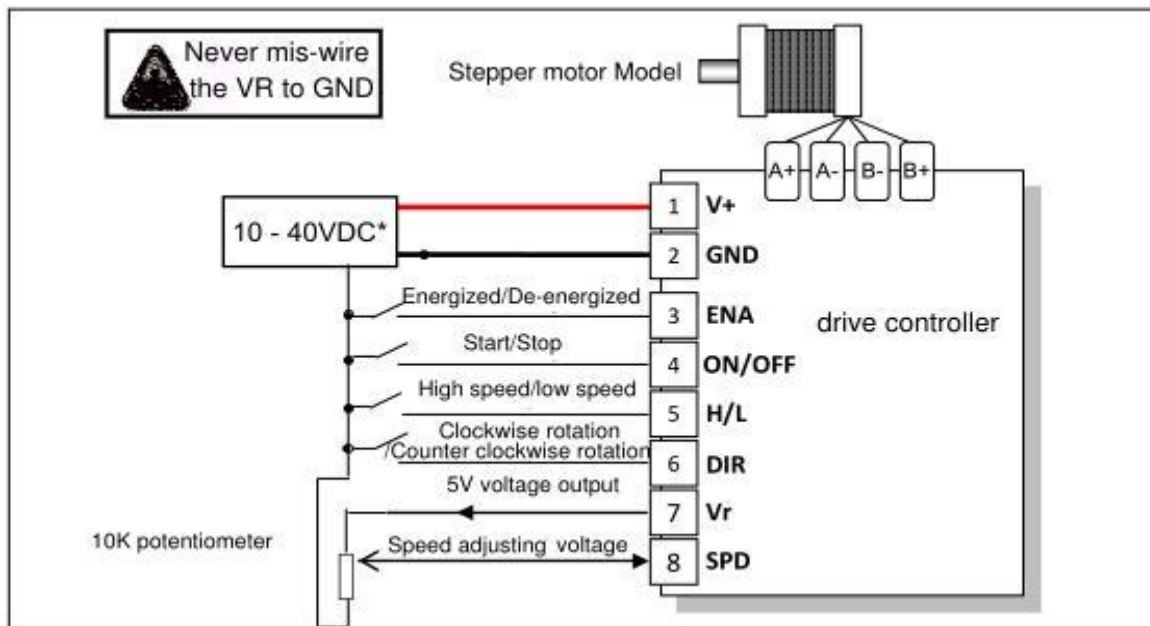
Zone, HangZhou, ZheJiang 311100, China

Tel:+86-571-89363666 Fax:+86-571-89363678

Http://www.lefoo.com Email:info@lefoo.com

LFP204 Quick-installation Peristaltic Pumps

External potentiometer wiring drawing:



Notice: Misconnection of electric phase will damage the driver permanently!

LEFOO INDUSTRIAL(HANGZHOU)CO.,LTD.

ADD:NO.118 Changda Road Yuhang Economic Development

Zone, HangZhou, ZheJiang 311100, China

Tel:+86-571-89363666 Fax:+86-571-89363678

Http://www.lefoo.com Email:info@lefoo.com