

LFP104 Peristaltic Pump

LFP104 peristaltic pumps are widely used in industry of household appliances, petrochemical, metallurgy, electronics, electric power, textile, food, medicine, biology, papermaking, automobile manufacturing, machinery etc.

Product Features:

- Powerful torque;
- Customized flow, up to 150ml/min;
- Inner diameter reaches up to 4mm;
- Pump's housing is convenient for disassembly and assembly, which makes it convenient for tube re-placement;
- DC motor and stepper motor are both available (revolutions setting controller is standard configuration, flow can be adjustable). The stepper motor satisfies the requirement of long term usage with low noise;
- 3 colors (blue, colorless transparent and yellow) available for the Pump's housing. Random delivery will be made if no request for the colors.

Model Selection Guide:

Intermittent operation, strict cost control and no requirements of the flow accuracy, please choose DC motor; if you want to control the flow accurately with a long life motor, please choose stepper motor.

To be noticed: keep low speed on the condition of continuous operation (within 150rpm).

Product Parameter

Model	104 (DC motor)	104/BT (stepper motor)
Revolutions (rpm)	5、10、30、50、60、100、150	0.15~200
Tube size	Tube thickness: 1mm and 1.6mm, inner diameter: 1.6~4mm 2×1、3×1、4×1、14#(1.6×1.6)、16#(3.2×1.6)	
Flow range (ml/min)	0.75-88	0-150
Roller quantity	2rollers and 3 rollers	
Motor power (W)	3-12	5-30
Motor model	28 series DC electric motor	42series Stepper motor (with speed controller)
Operation voltage (V)	6、12、24	10~30
Product weight (Kg)	0.16	0.36



LFP104



LFP104BT

LFP104 Peristaltic Pump

104 specification (ml/min, media: water)

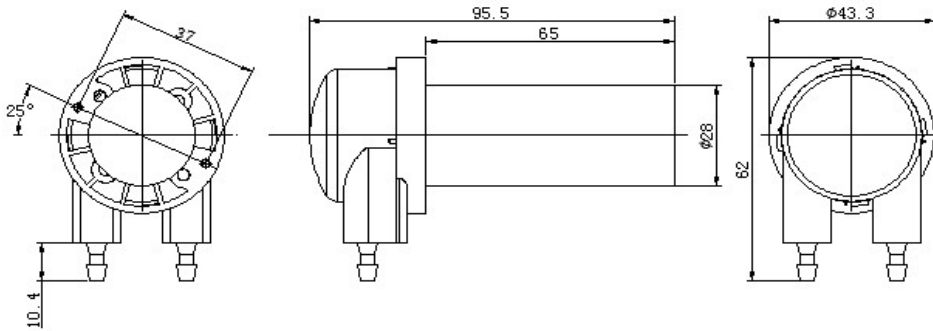
104 Flow Range (2 rollers)					
Inner diameter X Tube thickness	2×1	3×1	4×1	1.6×1.6 (14#)	3.2×1.6 (16#)
Revolutions (rpm)					
5	1	1.6	2.2	0.85	1.6
10	2.1	4.8	5.2	1.7	3.2
30	4.8	11	15	5	7.3
50	10	23	30	10.5	15.5
60	11.5	26	37	12	16.5
100	24	53	78	25	35
150	28.5	61	88	29	41
104 Flow Range (3 rollers)					
Inner diameter X Tube thickness	2×1	3×1	4×1	1.6×1.6 (14#)	3.2×1.6 (16#)
Revolutions (rpm)					
5	1	1.2	1.2	0.75	1.7
10	1.9	3.2	3	1.2	2.8
30	4	7.7	9	4.2	7.4
50	8	14.5	17	9.4	11
60	9.7	17	20	10.5	12.8
100	20	32	45	20	27
150	24	39	43	22	30

104/BT specification (ml/min, media: water)

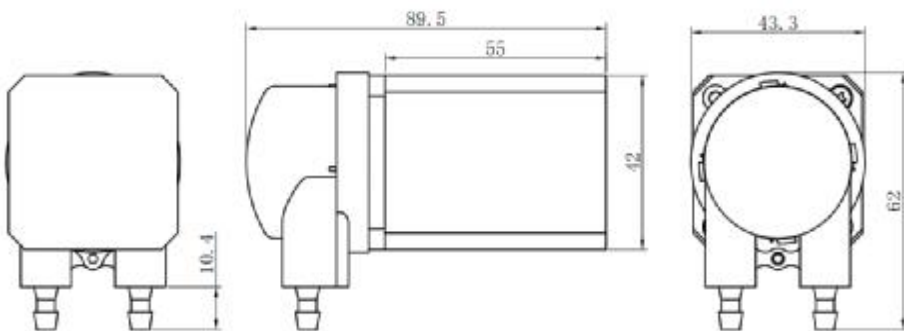
LFP104/BT Flow Range (2 rollers)					
Inner diameter X Tube thickness	1.6×1.6(14#)	3.2×1.6(16#)	2×1	3×1	4×1
Revolutions (rpm)					
Flow range(ml/min)					
	0-200	0-200	0-200	0-200	0-200
	0-35	0-75	0-35	0-85	0-150
LFP104/BT Flow Range (3 rollers)					
Inner diameter X Tube thickness	1.6×1.6(14#)	3.2×1.6(16#)	2×1	3×1	4×1
Revolutions (rpm)					
Flow range(ml/min)					
	0-200	0-200	0-200	0-200	0-200
	0-25	0-50	0-25	0-55	0-70

LFP104 Peristaltic Pump

104 pump drawing:

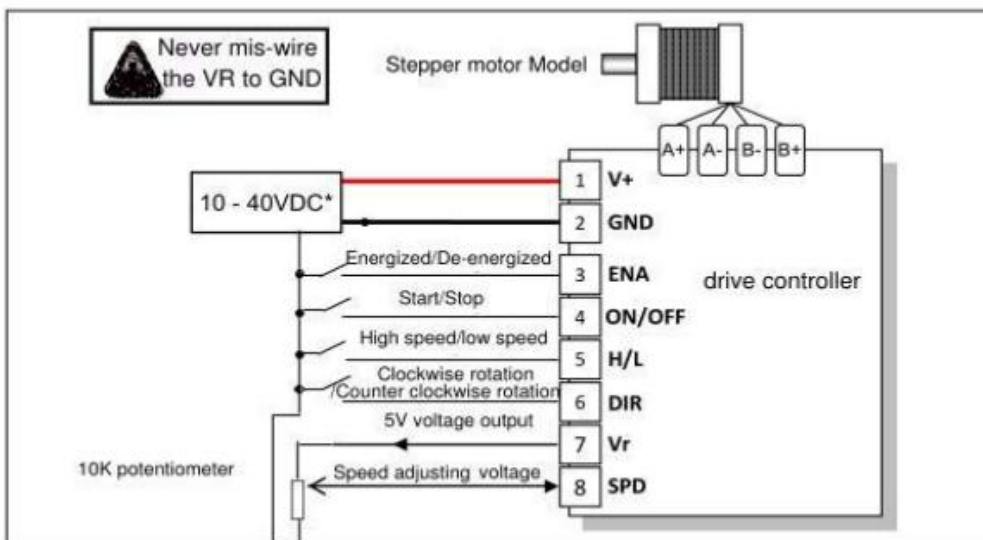


104/BT pump drawing:



Customer could use your own rotational potentiometer, the controller offers input ports of 5V reference voltage and voltage speed regulation. The measuring range of rotational potentiometer should be between 5KΩ to 10KΩ. Small resistance will lead to large current consumption, but large resistance will lower measurement accuracy.

External potentiometer wiring drawing:



Notice: Misconnection of electric phase will damage the driver permanently!